

Room sensor enclosures

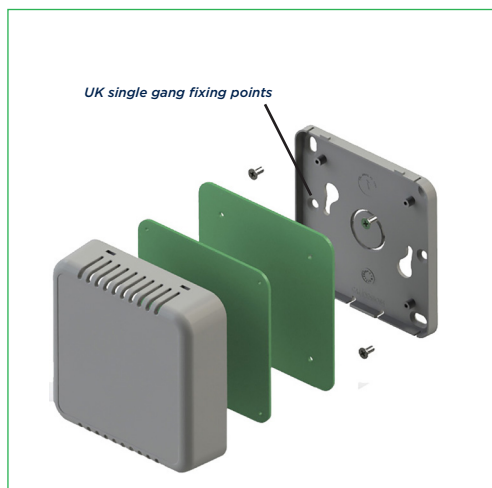
Product overview

- Moulded in ABS UL94-V0
- Front and back clip together (tool required for disassembly once wall mounted)
- Internal PCB Mount pillars moulded into the front and back sections of the housing
- Internal clips for snap-in PCB
- Recessed front face for overlay
- Recessed rear face for additional labelling
- Plain and vented versions available
- Rear knockout for cable entry (20mm diameter)
- Multiple mounting options, including single gang UK plug back box mount points
- Deep enough to house PP3 9V battery

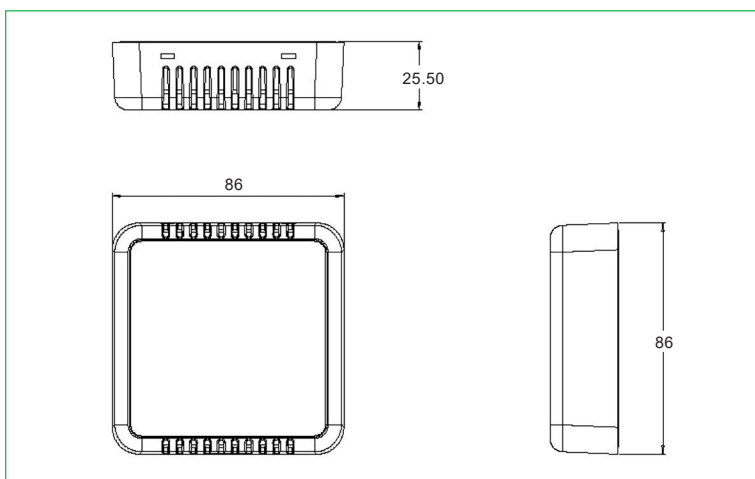


SPECIFICATION	
Materials	ABS UL94-V0
Operating temperature	-10°C to + 80°C
Standar colour	White
Standard unit includes	1 x room sensor enclosure

PART NO.	COLOUR
CBRS015WH	Room sensor, size 1, solid, white
CBRS01VWH	Room sensor, size 1, vented, white



*PCB not included



KEY FEATURES

Textured finish | No screws needed | Designed to fit UK gang box

